



CTI CONTRACT MANUFACTURING & PROTOTYPING

Made In Virginia

DESIGNS THAT DEFINE 24x7

CTI CONTRACT MANUFACTURING & PROTOTYPING

000-001

CTI continues to be a benchmark supplier of new capital plant and expansion equipment as well as meeting the need of redesign and improved maintenance fabrications. Our engineering team is focused on delivering cost effective, ceramic lined fabrications in a responsive manner that will help improve your operational performance.

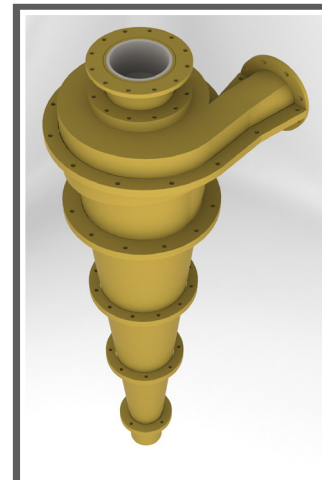
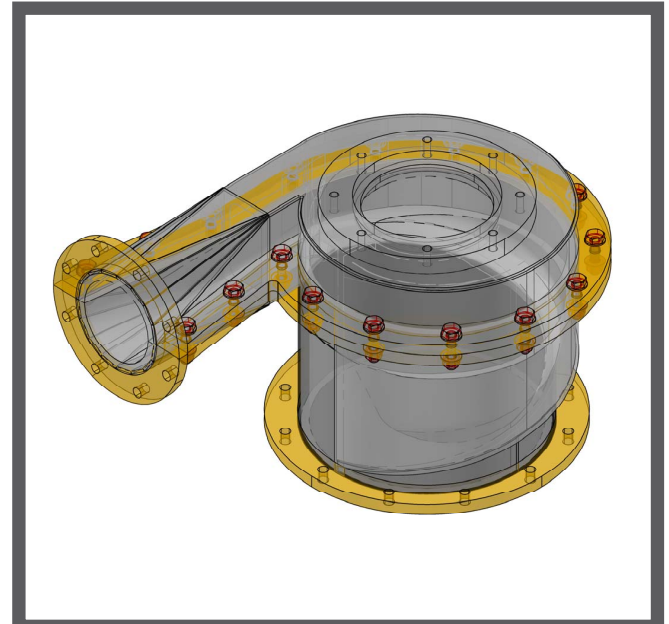
Many years of coal operation experience provides an underlying base of expertise that allows us to evaluate and improve your operations by applying the latest technology.

APPLICATIONS

- Classifying circuits
- Replacement of OEM parts to CTI Ceramic Standards
- Variations to tweak performance targets of component parts

FEATURES & BENEFITS

- In house design, detail and fabrication
- Rapid prototyping
- Improved consistent output of US parts
- Replacement of underperforming cyclone parts guaranteed accurate up to to $\frac{1}{16}$ "
- Heavy media cyclone replacement
- Improved CTI Large Diameter cyclones 40"-50"



WATCH A VIDEO:
<http://bit.ly/w9xBoD>

